

MINI PRESSURE REGULATOR G¹/₈ ~ G¹/₄

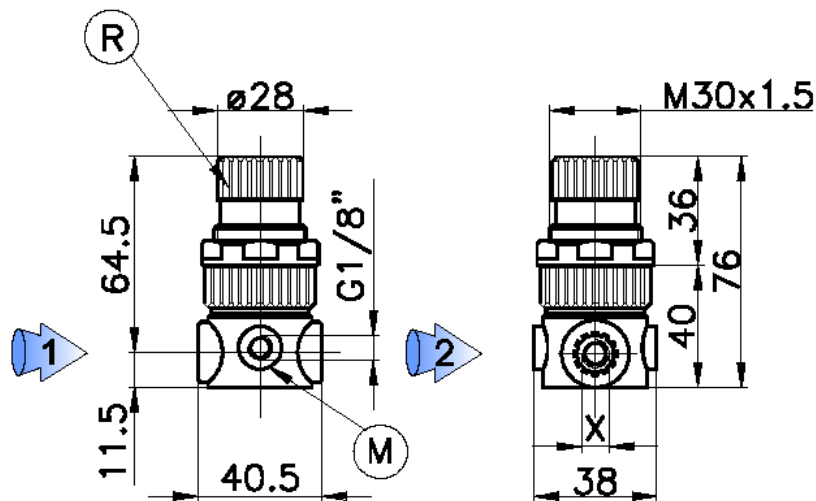
Compressed Air

Construction	Body—Techno-polymer
Type	Relieving
Ambient Temperature	+5 ~ +50 °C
Working Pressure	0 ~ 16 bar
Set Pressure Range	0—8 bar
Mounting	Vertical Preferred



Protected against over-pressurisation

Connection	Part Number		Flow at 6 Bar	Weight
	Inches	Standard		
G ¹ / ₈	Standard	Precision	Nl/min	kg
G ¹ / ₈	TA000001	RGA00028	720	0.95
G ¹ / ₄	TA000002	TA000093	720	0.95



Accessories

40mm Gauge 0—12 bar	TA000262
40mm Gauge 0—6 bar	TA000261
Mounting Bracket	TA000010