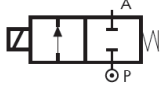


# D238/239 Series, Steam – 2/2 Normally Closed

Specifications	
Function (single acting)	 <p>Flow direction overseat 1 → 2</p>
Maximum Viscosity	Max. 21cST (3 °E)
Body Material (Std)	Brass CW617N (EN 12165)
Orifice Material	Stainless Steel 1.4305 EN 10088 (AISI 303)
Flange Tube (Seamless)	Stainless Steel 1.4305 EN 10088 (AISI 303)
Plunger	Stainless Steel 1.4106 EN 10088 (AISI 430F)
Top Stop	Stainless Steel 1.4105 EN 10088 (AISI 430F)
Springs	Stainless Steel AISI 302
Seal Material (Std)	Sigodur (filled PTFE)
Connection Type (Std)	G parallel thread (ISO 228-1)
Shading Ring	Copper
Electrical Characteristics	
Standard Coil Voltage DC (≐)	24 V
Standard Coil Voltage AC 50 Hz (~)	24 V, 110 V, 200 V, 230 V
Standard Coil Voltage AC 60 Hz (~)	24 V, 120 V, 220 V, 240 V
Voltage Tolerance	+10% to -15% (AC)
	+10% to -5% (DC)
Duty Cycle	100% ED
Protection Class	IP65 (EN 60529) with plug and gasket correctly fitted *
Electrical Connection	to EN 175301 - 803 - A (ex DIN 43650)
Coil Insulation	Class H 180 °C
Power Rating (Standard)	AC 18 VA (holding) AC 36 VA (inrush) DC 14 W

## Features and Benefits

- Direct Acting
- Robust construction for industrial applications
- Stainless steel AISI 430F operators with low residual magnetism
- Coils tested 100% in compliance to RoHS directive and to relevant international standards
- High quality seal materials
- Response time 5 to 25 ms

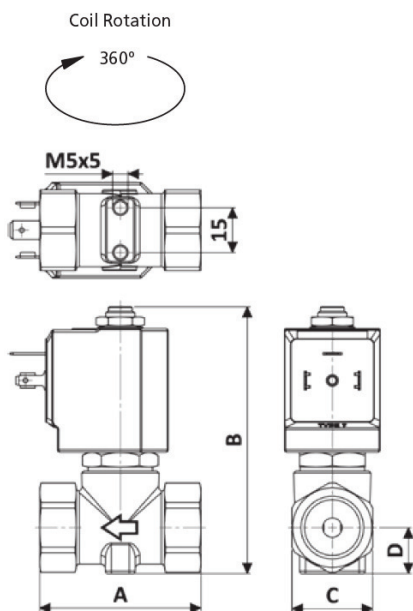


Pipe Size	Cv (gpm)	Kv (m³/h)	OPD (bar)		Orifice (mm)	Seal Material	Valve Code
			AC Voltages	DC Voltages			
3/8"	0.32	0.27	0 - 9	0 - 8	3.0	Filled PTFE	D238DLH
3/8"	0.53	0.45	0 - 5	0 - 2	5.0	Filled PTFE	D238DLN
1/2"	0.35	0.30	0 - 9	0 - 5	3.5	Filled PTFE	D239DLI

## Options Available

Seal Material <sup>1</sup> and Media Temperature Range	Media	Ambient Temperature Range	
		Min	Max
Filled PTFE (-10 °C to +180 °C)	Steam	-10 °C	+70 °C

<sup>1</sup> See corrosion reference guide and sealing solutions for material compatibility.



### Preferred Valve Mounting Options



Pipe Size	A	B	C	D	Weight (kg)
3/8" - 1/2"	54	89.35	HEX 27	15	0.45

Dimensions (mm)

### Solenoid enclosures

#### 7--1 Type Coil - Insulation class H

External material: PPS (glass fiber & mineral filled)  
 Electrical connection: DIN EN 175301-803 form A  
 Winding insulation: Class H (E180)  
 Enclosure classification: Conforms to IP65 (according to EN 60529) with plug and gasket correctly fitted\*



#### Type 600 011- Plug

Rated Voltage (max.): 250 VAC / 300 VDC  
 Nominal Current: 10A (rated) / 16A (max)  
 Wire cross-section: 1.5 mm<sup>2</sup> max  
 Cable Entry: PG9 (6 to 8 mm)  
 Enclosure classification: Conforms to IP65 (according to EN 60529) with supplied gasket  
 Insulation class: group C- VDE 0110  
 Housing colour: black  
 UL approved, file No: E205538



\* Plug and gasket not supplied as standard, must be ordered separately.

### Coding chart

#### Main Valve Assembly

Pipe Size
8 3/8"
9 1/2"

Orifice
H 3.0
I 3.5
N 5.0

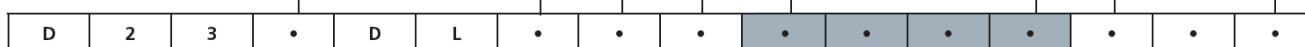
Option
w/o option

#### Coil options

Voltage / Frequency - Class H
7251 24 VDC
7201 24 V / 50/60 Hz
7401 110 V / 50 Hz - 120 V / 60 Hz
7601 200 V / 50 Hz - 220 V / 60 Hz
7701 230 V / 50 Hz - 240 V / 60 Hz

#### Plug

Plug
w/o plug
0A1 c/w plug



### Product coding example:

D238DLH 7251  
 3/8" G, auto operation, brass body, filled PTFE seals, 3.0 mm orifice, 24 VDC, without plug.