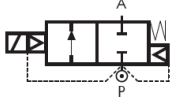


## LC203/204/205 Series, General Purpose – 2/2 Normally Closed, Latching

Specifications	
Function (single acting)	 <p>Flow direction overseat 1 → 2</p>
Maximum Viscosity	Max. 21cST (3 °E)
Body Material (Std)	Brass CW617N (EN 12165)
Flange	Stainless Steel 1.4305 EN 10088 (AISI 303)
Tube	Stainless Steel AISI 304
Plunger	Brass CW614N (EN 12164)
Magnet	Neodym-Iron-Boron
Top Stop	Stainless Steel 1.4105 EN 10088 (AISI 430F) or equivalent
Springs	Stainless Steel AISI 302
Seal Material (Std)	NBR
Connection Type (Std)	G parallel thread (ISO 228-1)
Shading Ring	Copper
Electrical Characteristics	
Low Power Coil Voltage DC (=)	24 V
Voltage Tolerance	+10% to -5% (DC)
Duty Cycle	100% ED
Protection Class	IP65 (EN 60529) with plug and gasket correctly fitted *
Electrical Connection	to industrial form B
Coil Insulation	Class F 155 °C
Power Rating (Low Power)	DC 3 W <sup>1</sup>
Coil Absorption (20 °C)	500mA for 20Q0 250mA for 21Q0 125mA for 22Q0

### Features and Benefits

- Pilot operated, latching
- Special operator with reduced stroke for low power coils
- Robust construction for industrial applications
- Stainless steel AISI 430F operators with low residual magnetism
- Coils tested 100% in compliance to RoHS directive and to relevant international standards
- Choice of high quality seal materials
- Response time 50 to 500 ms



Pipe Size	Cv (gpm)	Kv (m <sup>3</sup> /h)	OPD (bar)		Orifice (mm)	Seal Material	Valve Code <sup>1</sup>
			AC Voltages	DC Voltages			
¼"	1.83	1.56	-	0.3 - 5	13	NBR	LC203DBZ
						FKM	LC203DVZ
						EPDM	LC203DEZ
⅜"	3.86	3.30	-	0.3 - 5	13	NBR	LC204DBZ
						FKM	LC204DVZ
						EPDM	LC204DEZ
½"	4.42	3.78	-	0.3 - 5	13	NBR	LC205DBZ
						FKM	LC205DVZ
						EPDM	LC205DEZ

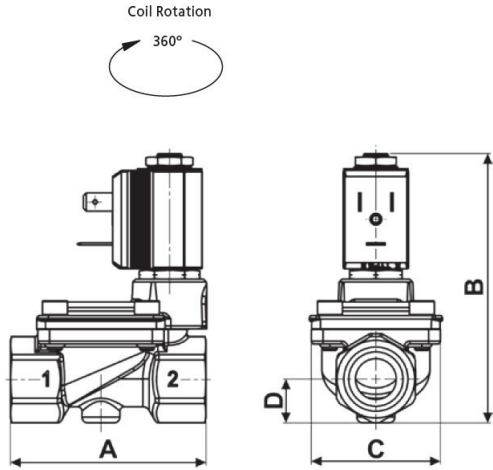
<sup>1</sup> Non standard, MOQ required.

### Options Available

Seal Material <sup>1</sup> and Media Temperature Range	Media	Ambient Temperature Range	
		Min	Max
NBR (-10 °C to +90 °C)	Water, oil, air	-10 °C	+50 °C
FKM (-10 °C to +130 °C)	Water, oil, air	-10 °C	+50 °C
EPDM (-10 °C to +120 °C)	Water, hot water	-10 °C	+50 °C

<sup>1</sup> See corrosion reference guide and sealing solutions for material compatibility.

### Preferred Valve Mounting Options



Pipe Size	A	B	C	D	Weight (kg)
1/4" - 3/8" - 1/2"	67	90	45.6	15	0.4

Dimensions (mm)

### Solenoid enclosures

#### 2-Q0 Type Coil - Insulation class F

- External material: PBT (reinforced fiberglass 30%)
- Electrical connection: Industrial form B
- Winding insulation: Class H (E180)
- Enclosure classification: Conforms to IP65 (according to EN 60529) with plug and gasket correctly fitted\*



#### Type 600 001- Plug

- Rated Voltage (max.): 250 VAC / 300 VDC
- Nominal Current: 10A (rated) / 16A (max)
- Wire cross-section: 1.5 mm<sup>2</sup> max
- Cable Entry: PG9 (6 to 8 mm)
- Enclosure classification: Conforms to IP65 (according to EN 60529) with supplied gasket
- Insulation class: group C- VDE 0110
- Housing colour: black
- UL approved, file No: E205538



### Coding chart

#### Main Valve Assembly

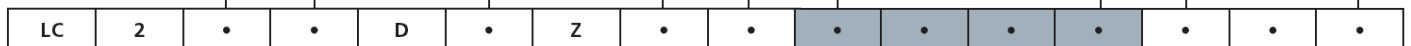
Pipe Size	
03	1/4"
04	3/8"
05	1/2"

Seals	
B	NBR
V	FKM
E	EPDM

Option	
	w/o option

Voltage / Frequency - Class F, Low Power	
20Q0	6 VDC
21Q0	12 VDC
22Q0	24 VDC

Plug	
	w/o plug
0B1	c/w plug



### Product coding example:

LC205DBZ 20Q0  
1/2" G, auto operation, brass body, NBR seals, 13 mm orifice, 6 VDC, without plug.