

## PILOT OPERATOR FOR USE IN DANGEROUS ATMOSPHERES (ATEX)

SERIES: N



THE FOLLOWING M&M VALVES CAN BE FITTED WITH EXPLOSION-PROOF OPERATOR, CLASS EEX M II 2GD T4, THE OPERATING PRESSURE REMAINING THE SAME THAN THE STANDARD VALVE<sup>(1)</sup>:

- D262 - D263
- D204 - D205 - D222
- D206DVY
- D223 - D224 - D225
- D298 - D299
- D326
- D362 - D363 (w/o manual override)



### COILS TECHNICAL SPECIFICATIONS

Coils are supplied with 3 mt power cable, wired on a non-removable plug

Cable type : H05V2V2-F 3G1

Degree of protection: IP 65

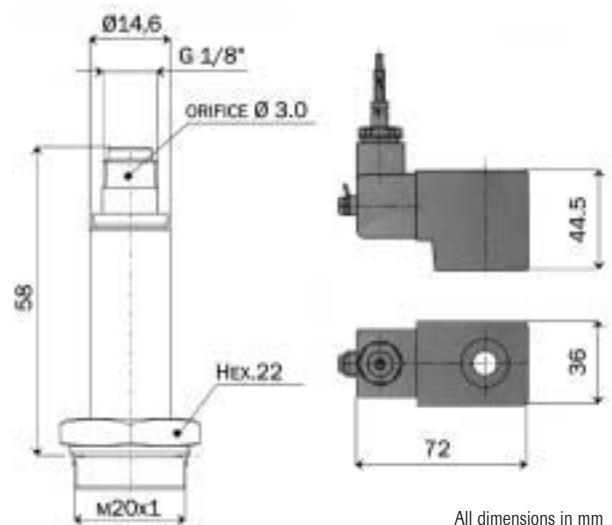
Insulation class: "F" EN 60730

Voltage tolerance: -10% ÷ +10%

Operation: continuous

Protection class: EEx m II 2GD T4

### DIMENSIONS



All dimensions in mm

### OPERATOR TECHNICAL SPECIFICATIONS

Operator material: stainless steel

Seal material: FKM

2/2 way NC operator (code N014DVH)

3/2 way NC operator (code N014CVH)

### SELECTION TABLE

CODE	Voltage	Power holding	insulation class	room temperature		medie temperature		ED	fuse <sup>(1)</sup>
				min	max	min	max		
N253	24V DC	10,1 W							800
N203	24V 50/60Hz	7,2 VA							800
N403	110V - 50Hz	9,1 VA	F	-20°C	+50°C	-20°C	+80°C	100%	200
NK03	120V - 60Hz	8,6 VA							200
N703	230V - 50Hz	8,5 VA							100

#### NOTES

(1) Manual override not available for Eex solenoid valves.

#### SAFETY WARNINGS

(1) A mains fuse or an equivalent means of protection (breaking value shown on table for each coil) shall be installed on the mains supply line. Absence of mains protection is a non conformity to safety standards (EC Directives 94/9/CE and 1999/92/CE) and is a possible cause of explosion.

(2) Valves for potentially explosive atmospheres are available from factory only. **USE OF COIL OR OPERATOR ONLY DOESN'T MAKE THE VALVE EXPLOSION-PROOF.**

SPECIAL VERSIONS AVAILABLE UPON REQUEST. PLEASE CONTACT M&M FOR DETAILS.