

# GP600 PRESSURE SWITCH



0414

SUITABLE FOR WATER, NEUTRAL LIQUIDS, LIGHT OILS, AIR AND INERT GASES

- **Body Materials:**  
Brass
- **Housing:**  
Technopolymer (PET)
- **Membrane:**  
NBR
- **Ambient Temperature:**  
-10~ +50C
- **Media Temperature:**  
-10~ +80C
- **Burst Pressure:**  
=20Bar
- **Switch Options:**  
SPDT 10 (2) - 250 VAC
- **Electrical Connection:**  
Terminal 6.3 x 0.8
- **Thermal Drift:**  
0.04 bar / 10C to datum 20C
- **Protection:**  
IP45 with Cap A0158100.020



Factory calibrated set points are available on request.

Pressure Connection	Part Number	Adjustable Pressure	Fixed Differential	Electrical Data	Weight
G 1/8 M	GP73ME31.000	0.2 - 3.0	0.3 ± 0.1	10A x 250 V	80
G 1/8 M	GP73NE31.000	0.5 - 3.0	0.4 ± 0.1	10A x 250 V	80
G 1/8 M	GP73PE31.000	1.0 - 5.0	0.5 ± 0.15	10A x 250 V	80

### OPTIONS:

<b>Process Connections</b>	G 1/4 & 1/4 NPT Male
<b>Membrane</b>	FKM, Silicone
<b>IP45 Protection Boot</b>	REF: A0158100.020

### V-Flow Solutions Ltd.

12 Railton Road, Woburn Road Industrial Estate, Kempston, Bedford, MK42 7PW

Tel: 01234 855888 Fax: 01234 857775

Email: sales@v-flowsolutions.co.uk Web: www.v-flowsolutions.co.uk

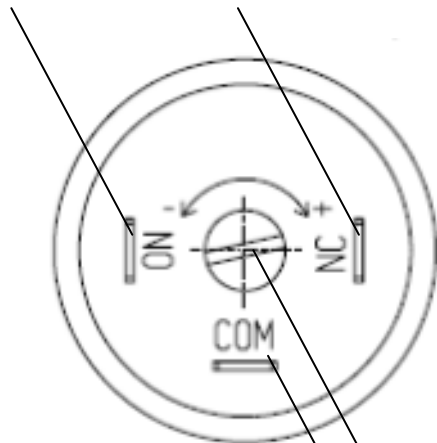
# GP600 PRESSURE SWITCH



## Electrical Connections

NORMALLY OPEN

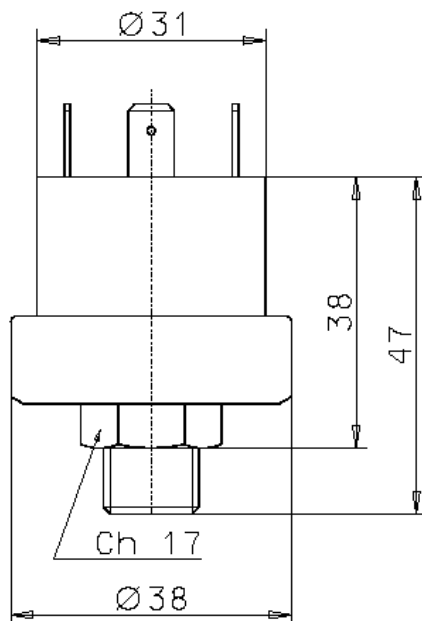
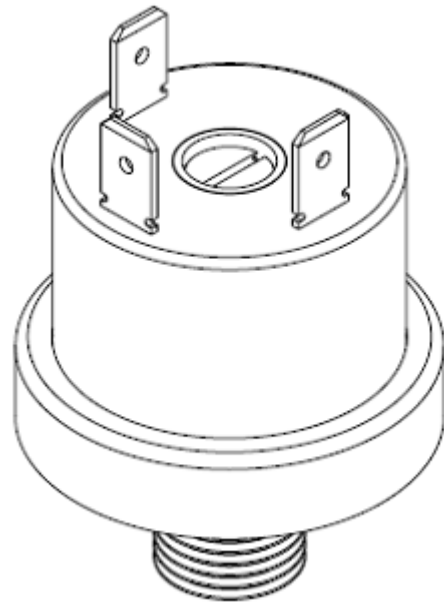
NORMALLY CLOSED



SWITCH POINT ADJUSTMENT

COMMON

## GP600



Homologations: EN60730-1, EN60730-2-6, UL/CSA File E157180



Information on this document is subject to change without prior notice.