

XP600 PRESSURE SWITCH



0414

SUITABLE FOR HOT WATER, STEAM, NEUTRAL LIQUIDS, LIGHT OILS, AIR AND INERT GASES

- **Body Material:**
Brass
- **Housing:**
Stainless Steel AISI 316
Technopolymer (PET)
- **Membrane:**
Silicon
- **Ambient Temperature:**
-10~ +50C
- **Media Temperature:**
-10~ +125C
- **Burst Pressure:**
=20Bar
- **Switch Options:**
SPDT 10 (2) - 250 VAC
SPST NO / NC 10 (2) - 250 VAC
- **Electrical Connection:**
Terminal 6.3 x 0.8
- **Thermal Drift:**
0.04 bar / 10C to datum 20C
- **Protection:**
IP45 with Cap A0158100.020



Factory calibrated set points are available on request.

Pressure Connection Inches	Part Number	Adjustable Pressure Range Bar	Fixed Differential Bar	Electrical Data	Weight GM
G 1/8 M	XP73AE61.000	0.2 - 1.2	0.30 ± 0.15	10A x 250 V	80
G 1/8 M	XP73CE61.000	1.0 - 2.5	0.30 ± 0.15	10A x 250 V	80
G 1/8 M	XP73DE61.000	1.5 - 4.0	0.35 ± 0.15	10A x 250 V	80
G 1/8 M	XP73EE61.000	2.0 - 6.0	0.35 ± 0.20	10A x 250 V	80

OPTIONS:

Process Connections	G 1/4 & 1/4 NPT Male
IP45 Protection Boot	REF: A0158100.020

V-Flow Solutions Ltd.

12 Railton Road, Woburn Road Industrial Estate, Kempston, Bedford, MK42 7PW

Tel: 01234 855888 Fax: 01234 857775

Email: sales@v-flowsolutions.co.uk Web: www.v-flowsolutions.co.uk

XP600 PRESSURE SWITCH

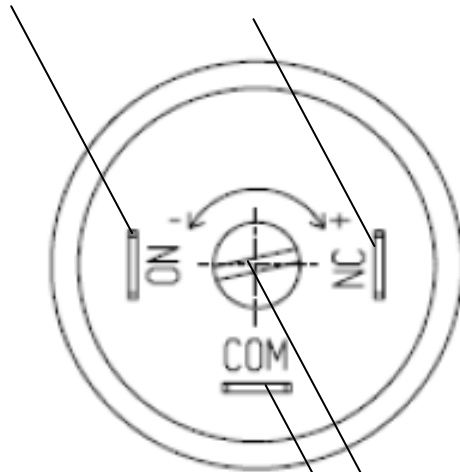


Electrical Connections

XP600

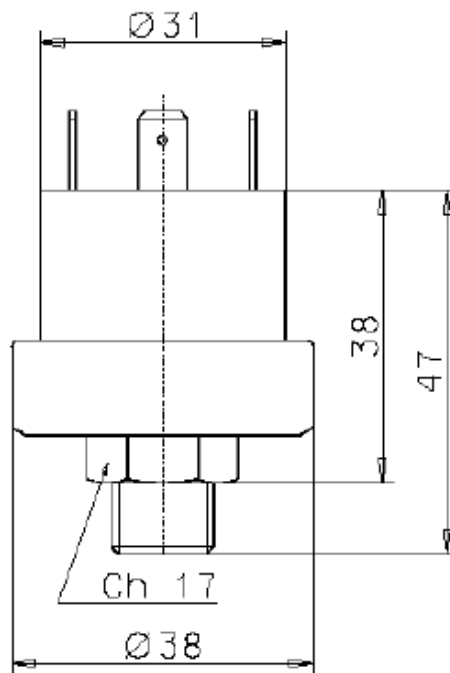
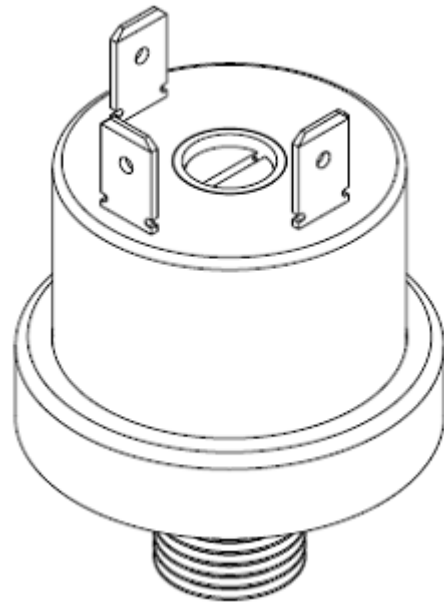
NORMALLY OPEN

NORMALLY CLOSED



SWITCH POINT ADJUSTMENT

COMMON



Homologations: EN60730-1, EN60730-2-6, UL/CSA File E157180



Information on this document is subject to change without prior notice.