

# XV600 PRESSURE SWITCH



0414

SUITABLE FOR HOT WATER, STEAM, NEUTRAL LIQUIDS, LIGHT OILS, AIR AND INERT GASES

- **Body Material:**  
Brass
- **Housing:**  
Technopolymer (PET)
- **Membrane & Sealing:**  
AISI316 & Silicon
- **Ambient Temperature:**  
-10~ +50C
- **Media Temperature:**  
-10~ +125C
- **Burst Pressure:**  
=20Bar
- **Switch Options:**  
SPDT 10 (2) - 250 VAC  
SPST NO / NC 10 (2) - 250 VAC
- **Electrical Connection:**  
Terminal 6.3 x 0.8
- **Thermal Drift:**  
0.04 bar / 10C to datum 20C
- **Protection:**  
IP45 with Cap A0158100.020



Factory calibrated set points are available on request.

Pressure Connection Inches	Part Number	Adjustable Pressure Range mBar	Fixed Differential mBar	Electrical Data	Weight GM
G 1/8 M	XV73VEN1.000	-150...-1000	150 ± 50	10A x 250 V	80

### OPTIONS:

<b>Process Connections</b>	G 1/4 & 1/4 NPT Male
<b>IP45 Protection Boot</b>	REF: A0151800.020

### V-Flow Solutions Ltd.

12 Railton Road, Woburn Road Industrial Estate, Kempston, Bedford, MK42 7PW

Tel: 01234 855888 Fax: 01234 857775

Email: sales@v-flowsolutions.co.uk Web: www.v-flowsolutions.co.uk

# XV600 PRESSURE SWITCH

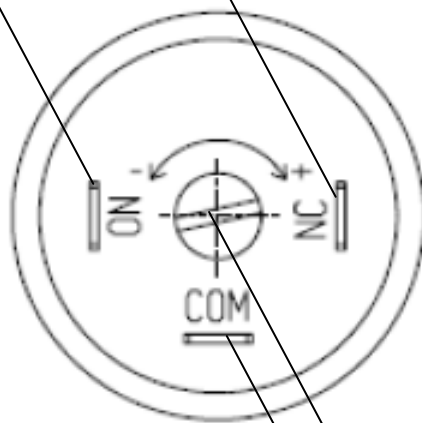


## Electrical Connections

## XV600

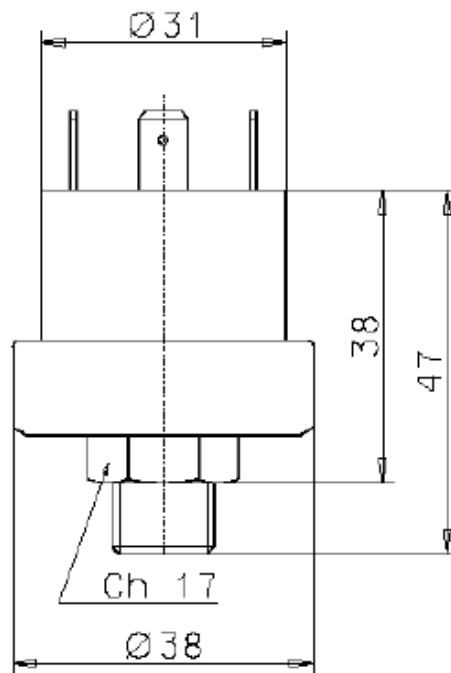
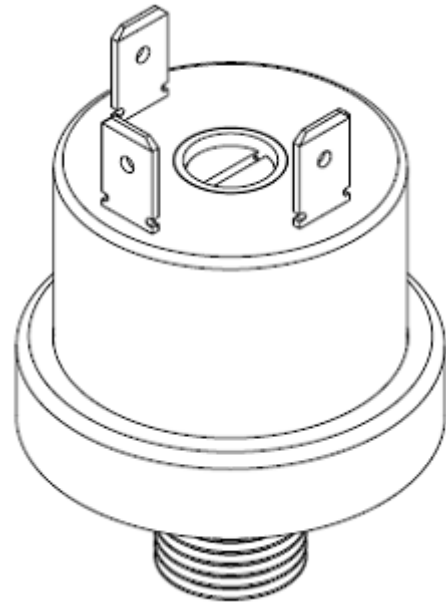
NORMALLY OPEN

NORMALLY CLOSED



SWITCH POINT ADJUSTMENT

COMMON



Homologations: EN60730-1, EN60730-2-6, UL/CSA File E157180



Information on this document is subject to change without prior no-