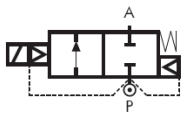


# D264/265/266 Series, General Purpose and Compressed Air

## 2/2 Normally Closed

Specifications	
Function (single acting)	 <p>Flow direction overseat 1 → 2</p>
Maximum Viscosity	Max. 21cST (3 °E)
Body Material (Std)	Brass CW617N (EN 12165)
Flange <sup>1</sup>	Stainless Steel 1.4305 EN 10088 (AISI 303)
Tube	Stainless Steel AISI 304
Plunger	Stainless Steel 1.4106 EN 10088 (AISI 430F)
Top Stop	Stainless Steel 1.4105 EN 10088 (AISI 430F)
Springs	Stainless Steel AISI 302
Seal Material (Std)	NBR
Connection Type (Std)	G parallel thread (ISO 228-1)
Shading Ring	Copper
Electrical Characteristics	
Standard Coil Voltage DC (=)	24 V
Standard Coil Voltage AC 50 Hz (~)	24 V, 110 V, 200 V, 230 V
Standard Coil Voltage AC 60 Hz (~)	24 V, 120 V, 220 V, 240 V
Voltage Tolerance	+10% to -15% (AC)
	+10% to -5% (DC)
Duty Cycle	100% ED
Protection Class	IP65 (EN 60529) with plug and gasket correctly fitted *
Electrical Connection	to EN 175301 - 803 - A (ex DIN 43650)
Coil Insulation	Class F 155 °C
Power Rating (Standard)	AC 18 VA (holding) AC 36 VA (inrush) DC 14 W

<sup>1</sup> This valve carries an additional flange HEX 30 in Brass CW614N (EN 12164) between body and flange tube.

### Features and Benefits

- Pilot operated
- Robust construction for industrial applications
- Stainless steel AISI 430F operators with low residual magnetism
- Coils tested 100% in compliance to RoHS directive and to relevant international standards
- Choice of high quality seal materials
- Response time 50 to 500 ms



Pipe Size	Cv (gpm)	Kv (m <sup>3</sup> /h)	OPD (bar)		Orifice (mm)	Seal Material	Valve Code
			AC Voltages	DC Voltages			
¼"	1.47	1.26	0.1-16	0.1-7	10.5	NBR	D264DBU
						FKM	D264DYU
						EPDM	D264DEU
¾"	1.68	1.44	0.1-16	0.1-7	10.5	NBR	D265DBU
						FKM	D265DYU
						EPDM	D264DEU
½"	1.76	1.50	0.1-16	0.1-7	10.5	NBR	D266DBU
						FKM	D266DYU
						EPDM	D264DEU

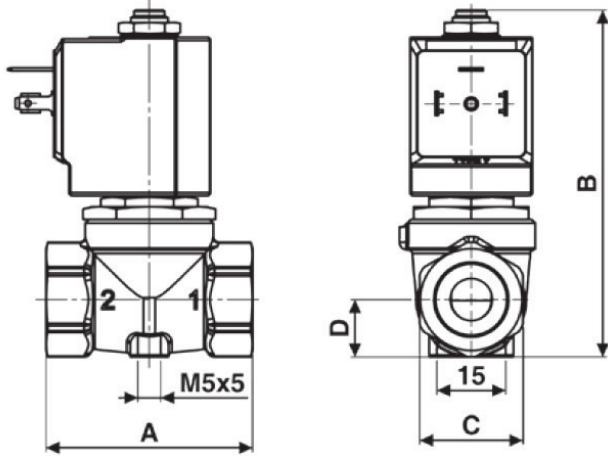
### Options Available

Valve Options (see coding chart)
NPT threads (minimum batch may be required)

Seal Material <sup>2</sup> and Media Temperature Range	Media	Ambient Temperature Range	
		Min	Max
NBR (-10 °C to +90 °C)	Water, oil, air	-10 °C	+50 °C
FKM (-10 °C to +130 °C)	Water, oil, air	-10 °C	+50 °C
EPDM (-10 °C to +120 °C)	Water, hot water	-10 °C	+50 °C

<sup>2</sup> See corrosion reference guide and sealing solutions for material compatibility.

Coil Rotation



## Preferred Valve Mounting Options



Pipe Size	A	B	C	D	Weight (kg)
¼"	54	89	HEX 27	15	0.45
¾" - ½"	54	89	HEX 27	15	0.4

Dimensions (mm)

### Solenoid enclosures

#### 7--0 Type Coil - Insulation class F

- External material: PBT (reinforced fiberglass 30%)
- Electrical connection: DIN EN 175301-803 form A
- Winding insulation: Class H (E180)
- Enclosure classification: Conforms to IP65 (according to EN 60529) with plug and gasket correctly fitted\*



#### Type 600 011- Plug

- Rated Voltage (max.): 250 VAC / 300 VDC
- Nominal Current: 10A (rated) / 16A (max)
- Wire cross-section: 1.5 mm<sup>2</sup> max
- Cable Entry: PG9 (6 to 8 mm)
- Enclosure classification: Conforms to IP65 (according to EN 60529) with supplied gasket
- Insulation class: group C- VDE 0110
- Housing colour: black
- UL approved, file No: E205538



\* Plug and gasket not supplied as standard, must be ordered separately.

### Coding chart

#### Main Valve Assembly

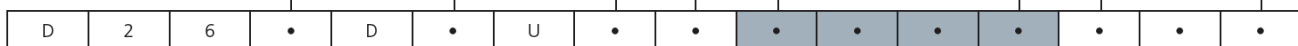
Pipe Size
4 ¼"
5 ¾"
6 ½"

Seals
B NBR
V FKM
E EPDM

Option
N NPT
w/o option

Voltage / Frequency - Class F	
7250	24 VDC
7200	24 V / 50/60 Hz
7400	110 V / 50 Hz - 120 V / 60 Hz
7600	200 V / 50 Hz - 220 V / 60 Hz
7700	230 V / 50 Hz - 240 V / 60 Hz

Plug
w/o plug
0A1 c/w plug



### Product coding example:

D264DBU 7250  
¼" G, auto operation, brass body, NBR seals, 10.5 mm orifice, 24 VDC, without plug.