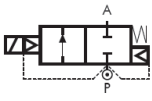


# D634/635/636 Series, Steam – 2/2 Normally Closed

Specifications	
Function (single acting)	 <p>Flow direction overseat 1 → 2</p>
Maximum Viscosity	Max. 21cST (3 °E)
Body Material (Std)	Brass CW617N (EN 12165)
Orifice Material	Stainless Steel 1.4305 EN 10088 (AISI 303)
Flange Tube (Seamless)	Stainless Steel 1.4305 EN 10088 (AISI 303)
Plunger	Stainless Steel 1.4106 EN 10088 (AISI 430F)
Top Stop	Stainless Steel 1.4105 EN 10088 (AISI 430F)
Piston Material	Brass CW614N (EN 12164)
Springs	Stainless Steel AISI 302
Seal Material (Std)	PTFE
Connection Type (Std)	G parallel thread (ISO 228-1)
Shading Ring	Copper
Electrical Characteristics	
Standard Coil Voltage DC (=)	24 V
Standard Coil Voltage AC 50 Hz (-)	24 V, 110 V, 200 V, 230 V
Standard Coil Voltage AC 60 Hz (-)	24 V, 120 V, 220 V, 240 V
Voltage Tolerance	+10% to -15% (AC)
	+10% to -5% (DC)
Duty Cycle	100% ED
Protection Class	IP65 (EN 60529) with plug and gasket correctly fitted *
Electrical Connection	to EN 175301 - 803 - A (ex DIN 43650)
Coil Insulation	Class H 180 °C
Power Rating (Standard)*	AC 18 VA (holding) AC 36 VA (inrush) DC 22 W

\* For DC only High power coil mandatory.

## Features and Benefits

- Pilot operated
- Robust construction for industrial applications
- Stainless steel AISI 430F operators with low residual magnetism
- Coils tested 100% in compliance to RoHS directive and to relevant international standards
- High quality seal materials
- Response time 50 to 500 ms



Pipe Size	Cv (gpm)	Kv (m <sup>3</sup> /h)	OPD (bar)		Orifice (mm)	Seal Material	Valve Code
			AC Voltages	DC Voltages			
¼"	1.47	1.26	0.3 - 9	0.3 - 9	10	PTFE	D634DIT
⅜"	1.68	1.44			10	PTFE	D635DIT
½"	1.76	1.50			10	PTFE	D636DIT

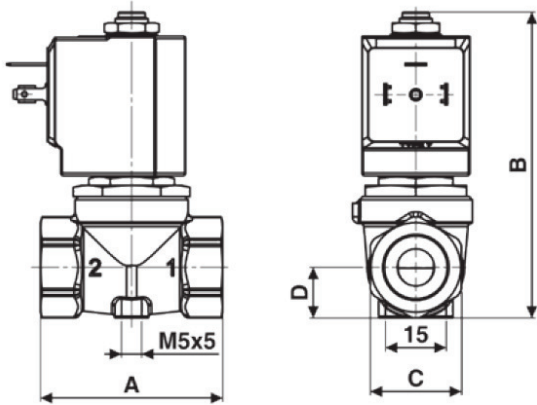
## Options Available

Seal Material <sup>1</sup> and Media Temperature Range	Media	Ambient Temperature Range	
		Min	Max
PTFE (+80 °C <sup>2</sup> to +180 °C)	Steam	-10 °C	+70 °C

<sup>1</sup> See corrosion reference guide and sealing solutions for material compatibility.

<sup>2</sup> For correct functioning, the minimum working temperature of the solenoid valve cannot be below 80 °C.

Coil Rotation



### Preferred Valve Mounting Options



Pipe Size	A	B	C	D	Weight (kg)
1/4"	54	100	HEX 27	15	0.5
3/8" to 1/2"	54	100	HEX 27	15	0.45

Dimensions (mm)

### Solenoid enclosures

#### 7--1 & 7-Z1 Type Coil - Insulation class H

- External material: PPS (glass fiber & mineral filled)
- Electrical connection: DIN EN 175301-803 form A
- Winding insulation: Class H (E180)
- Enclosure classification: Conforms to IP65 (according to EN 60529) with plug and gasket correctly fitted\*



#### Type 600 011- Plug

- Rated Voltage (max.): 250 VAC / 300 VDC
- Nominal Current: 10A (rated) / 16A (max)
- Wire cross-section: 1.5 mm<sup>2</sup> max
- Cable Entry: PG9 (6 to 8 mm)
- Enclosure classification: Conforms to IP65 (according to EN 60529) with supplied gasket
- Insulation class: group C- VDE 0110
- Housing colour: black
- UL approved, file No: E205538



\* Plug and gasket not supplied as standard, must be ordered separately.

### Coding chart

#### Main Valve Assembly

Pipe Size
4 1/4"
5 3/8"
6 1/2"

Option
w/o option

#### Coil options

Voltage / Frequency - Class H (High Power DC only)	
72Z1	24 VDC
7201	24 V / 50/60 Hz
7401	110 V / 50 Hz - 120 V / 60 Hz
7601	200 V / 50 Hz - 220 V / 60 Hz
7701	230 V / 50 Hz - 240 V / 60 Hz

#### Plug

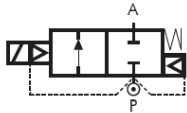
Plug	
w/o plug	
0A1	c/w plug



### Product coding example:

D634DTT 72Z1  
1/4" G, auto operation, brass body, PTFE seals, 10 mm orifice, 24 VDC, without plug.

## D887/888/889/890/892 Series, Steam – 2/2 Normally Closed

Specifications	
Function (single acting)	 <p>Flow direction overseat 1 → 2</p>
Maximum Viscosity	Max. 21cST (3 °E)
Body Material (Std)	Brass CW617N (EN 12165)
Orifice Material	Stainless Steel 1.4305 EN 10088 (AISI 303)
Flange Tube (Seamless)	Stainless Steel 1.4305 EN 10088 (AISI 303)
Plunger	Stainless Steel 1.4106 EN 10088 (AISI 430F)
Top Stop	Stainless Steel 1.4105 EN 10088 (AISI 430F)
Springs	Stainless Steel AISI 302
Operator Seal Material	EPM PX 70/80
Diaphragm Material	PTFE
Main Seal Material	EPM PX 70/80
Connection Type (Std)	G parallel thread (ISO 228-1)
Shading Ring	Copper
Electrical Characteristics	
Standard Coil Voltage DC (±)	24 V
Standard Coil Voltage AC 50 Hz (-)	24 V, 110 V, 200 V, 230 V
Standard Coil Voltage AC 60 Hz (-)	24 V, 120 V, 220 V, 240 V
Voltage Tolerance	+10% to -15% (AC)
	+10% to -5% (DC)
Duty Cycle	100% ED
Protection Class	IP65 (EN 60529) with plug and gasket correctly fitted *
Electrical Connection	to EN 175301 - 803 - A (ex DIN 43650)
Coil Insulation	Class H 180 °C
Power Rating (Standard)	AC 18 VA (holding) AC 36 VA (inrush) DC 22 W

### Features and Benefits

- Pilot operated
- Robust construction for industrial applications
- Stainless steel AISI 430F operators with low residual magnetism
- Coils tested 100% in compliance to RoHS directive and to relevant international standards
- High quality seal materials
- Response time 50 to 500 ms



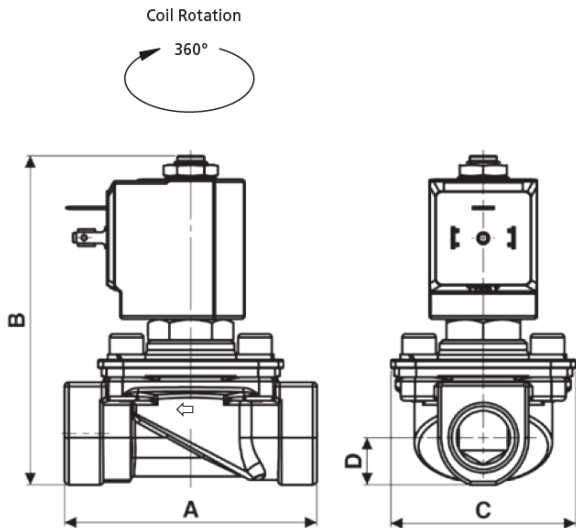
Pipe Size	Cv (gpm)	Kv (m³/h)	OPD (bar)		Orifice (mm)	Seal Material	Valve Code
			AC Voltages	DC Voltages			
¼"	2.46	2.10	0.3 - 4.5	0.3 - 4.5	11.5	EPM PX	D887DPV
⅜"	3.51	3.00	0.3 - 4.5	0.3 - 4.5	11.5	EPM PX	D888DPV
½"	3.86	3.30	0.3 - 4.5	0.3 - 4.5	11.5	EPM PX	D889DPV
¾"	4.91	4.20	0.3 - 4.5	0.3 - 4.5	11.5	EPM PX	D890DPV
1"	5.27	4.50	0.3 - 4.5	0.3 - 4.5	11.5	EPM PX	D890DPV

### Options Available

Valve Options (see coding chart)
NPT threads (minimum batch may be required)

Seal Material <sup>1</sup> and Media Temperature Range	Media	Ambient Temperature Range	
		Min	Max
EPM PX (-10 °C to +150 °C)	Hot water and steam	-10 °C	+70 °C

<sup>1</sup> See corrosion reference guide and sealing solutions for material compatibility.



### Preferred Valve Mounting Options



Pipe Size	A	B	C	D	Weight (kg)
¼"	75	108	55	14	0.55
⅜"	75	108	55	14	0.5
½"	75	108	55	14	0.5
¾"	85	108	55	21.5	0.8
1"	82	108	55	21.5	0.8

Dimensions (mm)

### Solenoid enclosures

#### 7--1 & 7-Z1 Type Coil - Insulation class H

- External material: PPS (glass fiber & mineral filled)
- Electrical connection: DIN EN 175301-803 form A
- Winding insulation: Class H (E180)
- Enclosure classification: Conforms to IP65 (according to EN 60529) with plug and gasket correctly fitted\*



#### Type 600 011- Plug

- Rated Voltage (max.): 250 VAC / 300 VDC
- Nominal Current: 10A (rated) / 16A (max)
- Wire cross-section: 1.5 mm<sup>2</sup> max
- Cable Entry: PG9 (6 to 8 mm)
- Enclosure classification: Conforms to IP65 (according to EN 60529) with supplied gasket
- Insulation class: group C- VDE 0110
- Housing colour: black
- UL approved, file No: E205538



\* Plug and gasket not supplied as standard, must be ordered separately.

### Coding chart

#### Main Valve Assembly

Pipe Size	Option
87	¼"
88	⅜"
89	½"
90	¾"
92	1"

Option	Option
N	NPT
	w/o option

#### Coil options

Voltage / Frequency - Class H (High Power DC only)	
7221	24 VDC
7201	24 V / 50/60 Hz
7401	110 V / 50 Hz - 120 V / 60 Hz
7601	200 V / 50 Hz - 220 V / 60 Hz
7701	230 V / 50 Hz - 240 V / 60 Hz

#### Plug

Plug	
	w/o plug
0A1	c/w plug



#### Product coding example:

D889DPV 7201  
 ½" G, auto operation, brass body, EPM PX seals, 11.5 mm orifice, 24 V / 50/60 Hz, without plug.